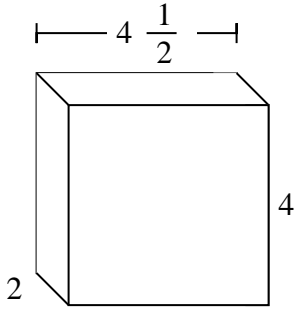


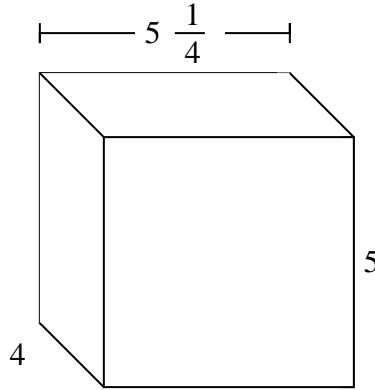


Fill each rectangular prism with cubes to determine the volume. Each prism's unit is measured in cm (not to scale).

Ex)



1)



Ex.

36 cm

1. _____

2. _____

3. _____

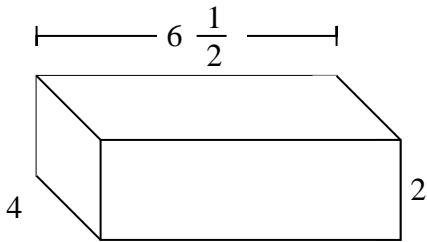
4. _____

5. _____

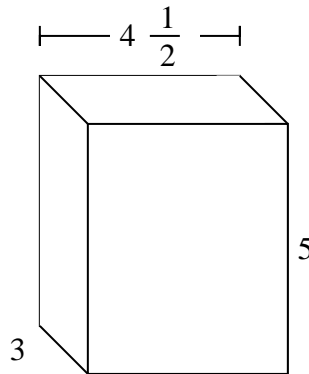
6. _____

7. _____

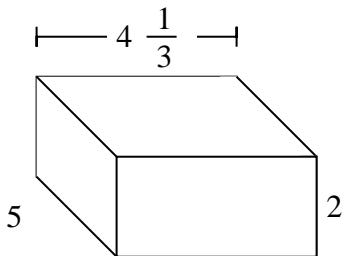
2)



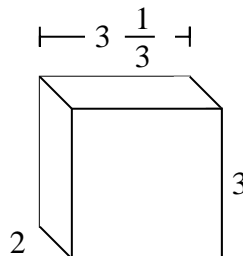
3)



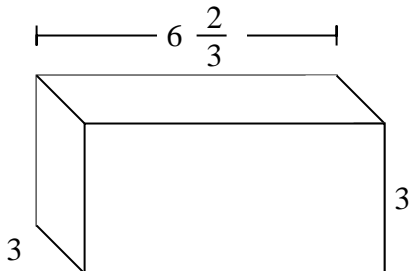
4)



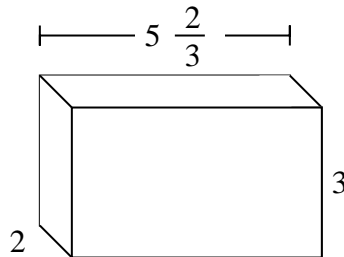
5)



6)

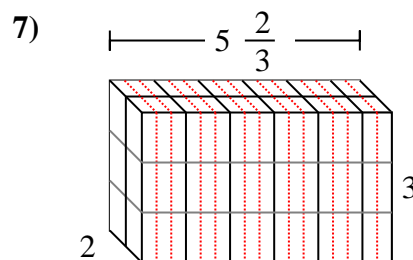
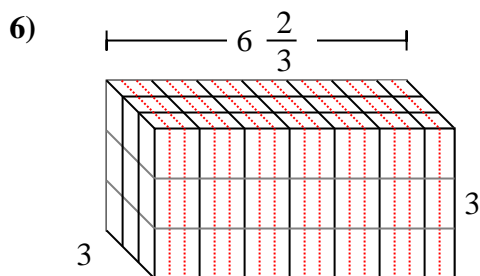
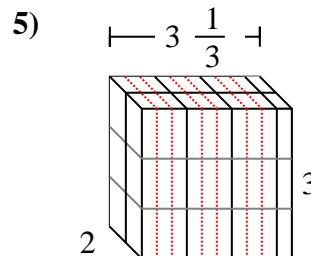
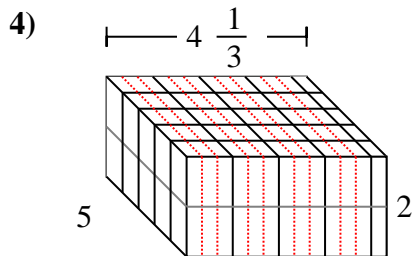
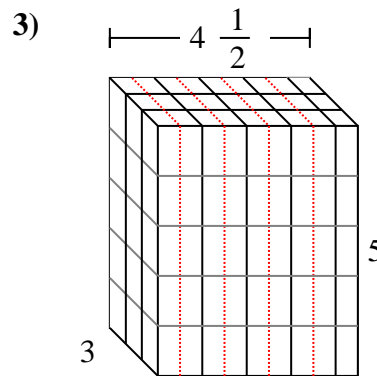
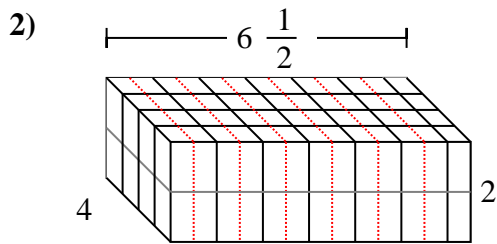
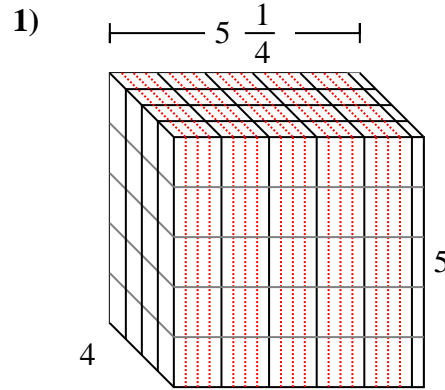
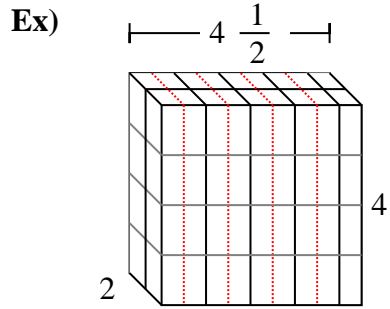


7)





Fill each rectangular prism with cubes to determine the volume. Each prism's unit is measured in cm (not to scale).

**Answers**Ex. 36 cm1. 105 cm2. 52 cm3. 67 1/2 cm4. 43 1/3 cm5. 20 cm6. 60 cm7. 34 cm